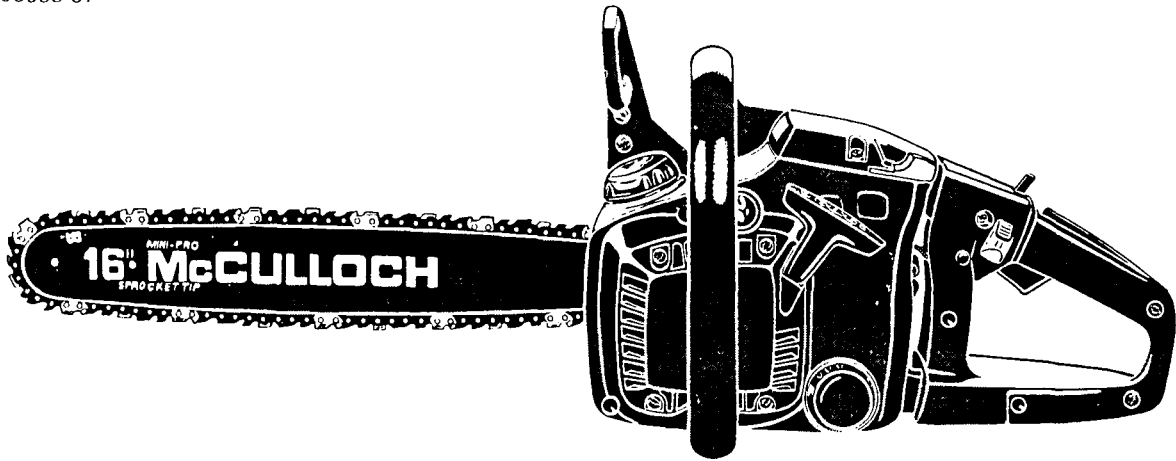


MACCAT 839

- 11600038-32
- 11600038-33
- 11600038-34
- 11600038-53
- 11600038-54
- 11600038-57

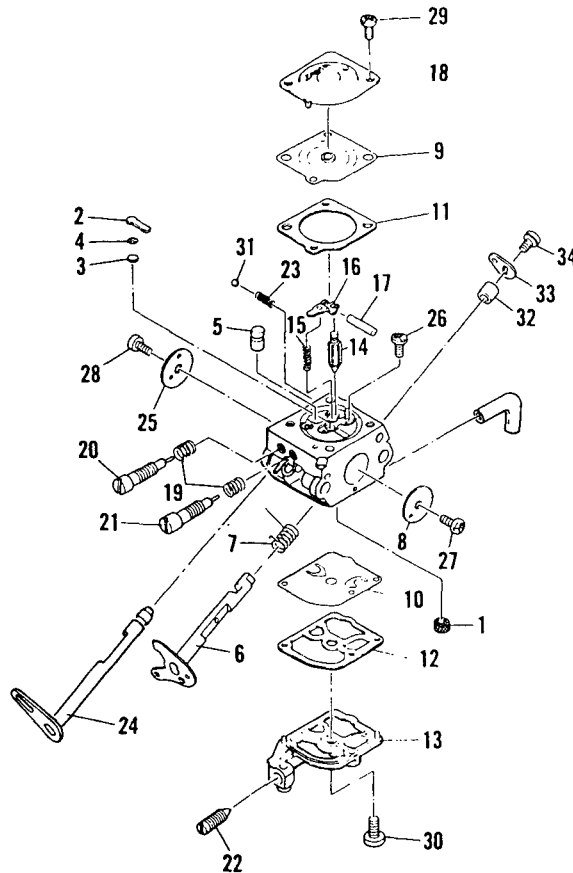
P/N 211445/E



MARCH 1995

McCULLOCH

1

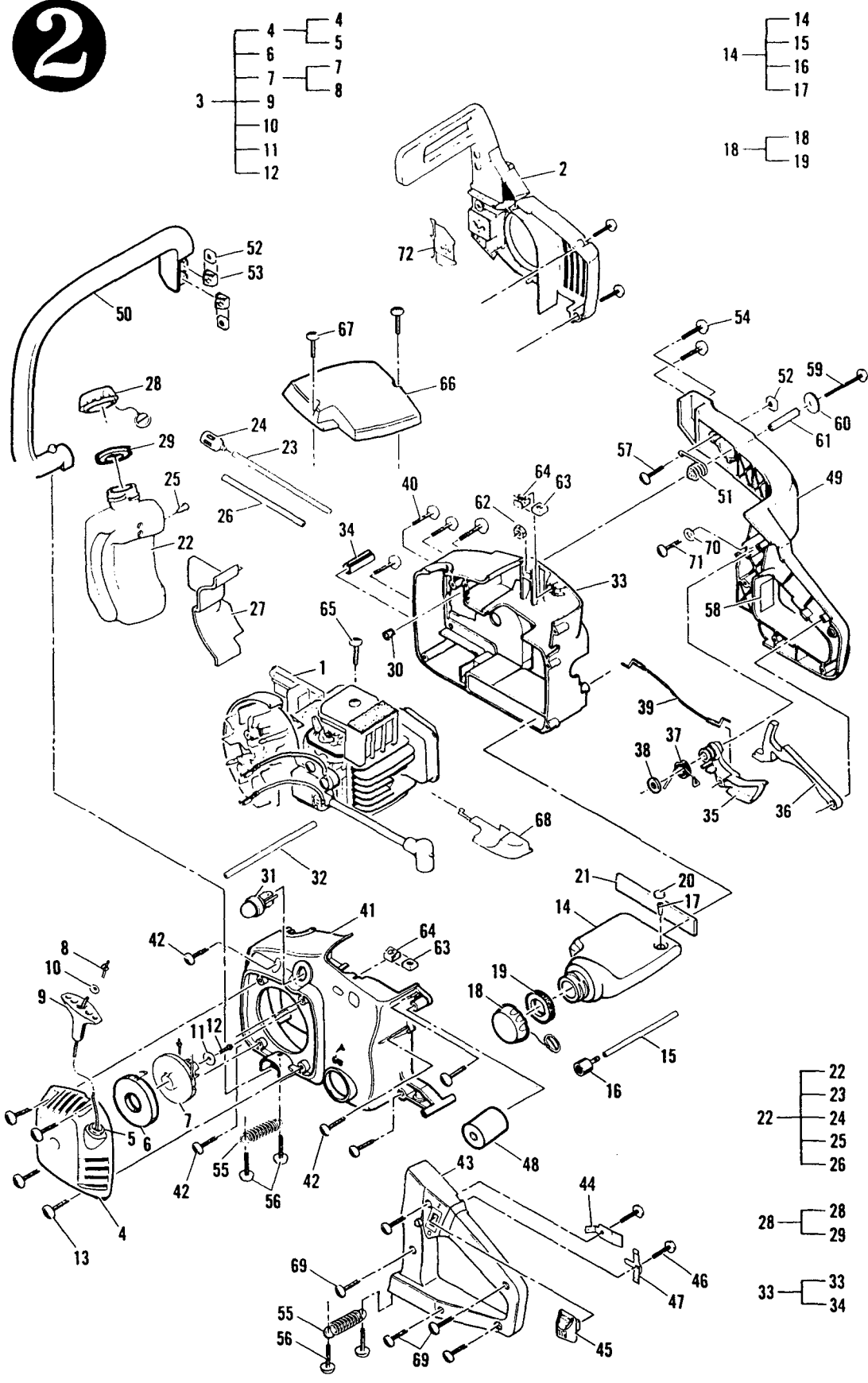


322202-01 M33

1 ①	1
2 ①	1
3	1
4	1
5	1
6	1
7	1
8	1
9 ①②	1
10 ①②	1
11 ①②	1
12 ①②	1
13	1
14 ①	1
15 ①	1
16 ①	1
17 ①	1
18	1
19	2
20	1
21	1
22	1
23	1
24	1
25	1
26	1
27	1
28	1
29	2
30	1
31	1
32	1
33	1
34	1

① 301041 (RB-39)
 ② 301042 (GND-35)

2



- 4 — 4
- 6 — 5
- 7 — 7
- 8 — 8
- 3 — 9
- 10
- 11
- 12

- 14 — 14
- 15
- 16
- 17
- 18 — 18
- 19

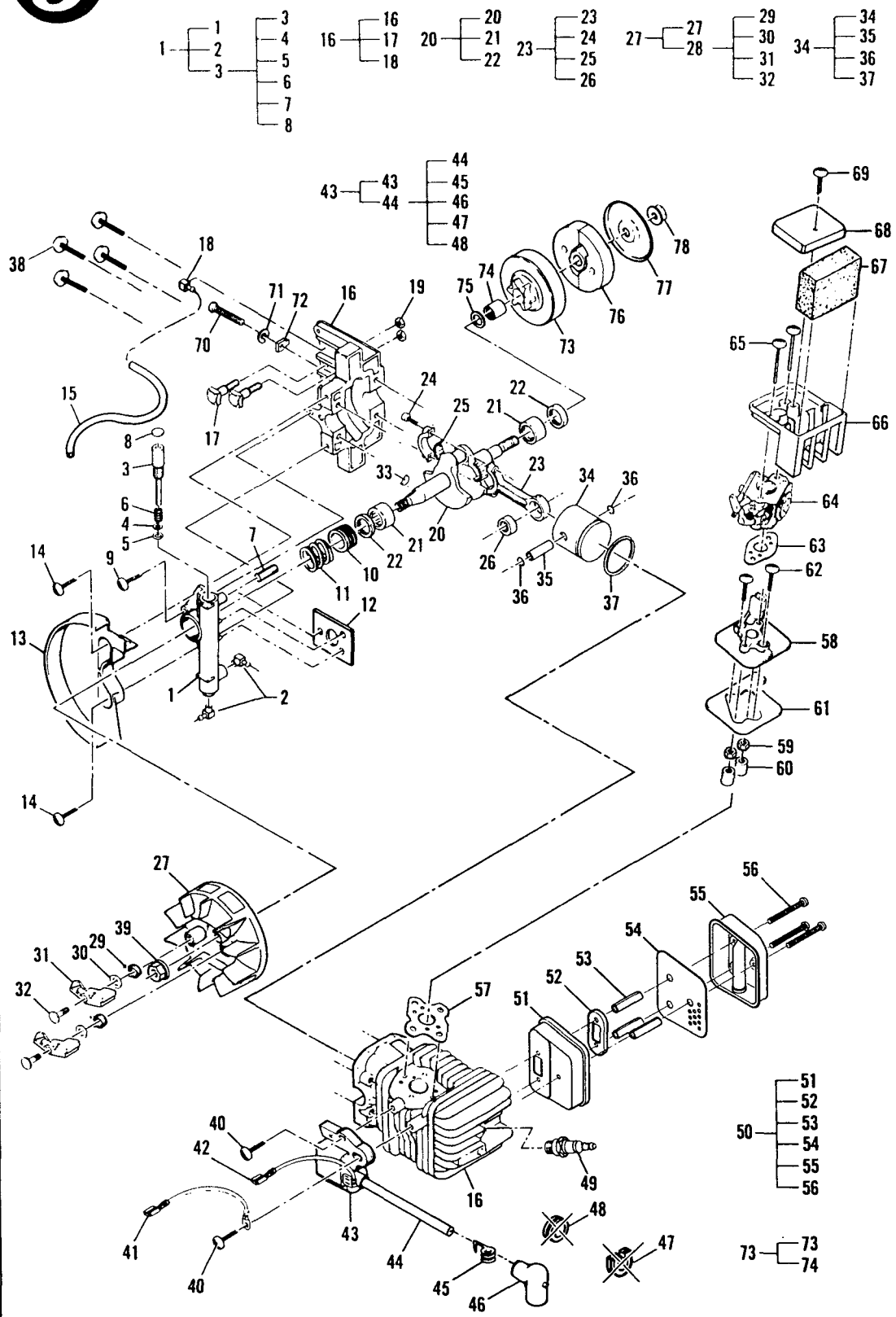
- 22 — 22
- 23
- 24
- 25
- 26

- 28 — 28
- 29

- 33 — 33
- 34

FIGURE 3	FIGURE 4
1	301078
2	301654
3
4	300475
5	301043
6	300300
7	87851
8	223944
9	300297
10	300294
11	300294
12	300294
13	300260
14	300289
15	225062
16	300256
17	300565
18	300269
19	300259
20	322195
21	300258
22	300289
23	216985
24	322199
25	300290
26	322191
27	300564
28	300267
29	300259
30	224242-01
31	300298
32	301056
33	111098
34	224821
35	224822
36	224823
37	111128
38	322170
39	219881
40	322161
41	300294
42	322164
43	322178
44	68846
45	223357
46	224844
47	300287
48	322163
49	322162
50	322165
51	218005
52	300292
53	219881
54	322166
55	300294
56	217935
57	223407
58	218083
59	322176
60	322175
61	111135
62	218005
63	300292
64	217936
65	224830
66	111099
67	224826
68	300294
69	300297
70	300294
71	322181
72

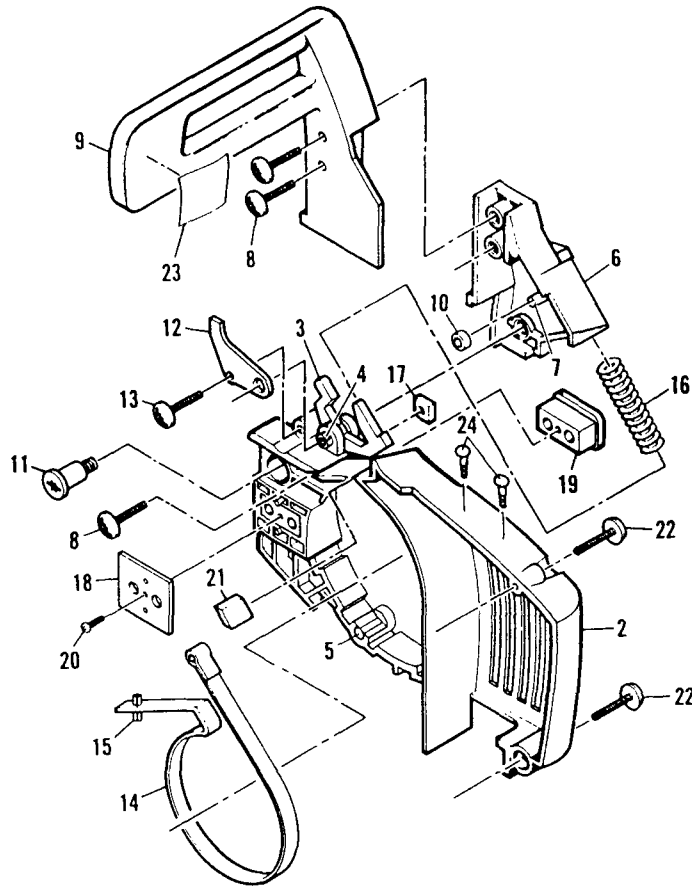
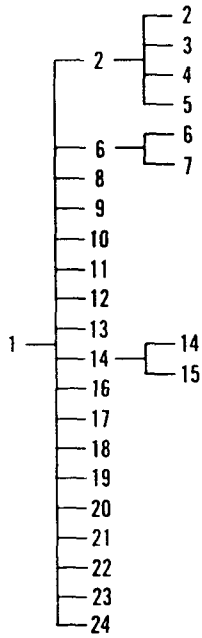
3



1	301304	1
2	.322182	2
3	.301084	1
4	.110582	1
5	1
6	1
7	1
8	.322187	1
9	219881	1
10	224814	1
11	224840	1
12	300295	1
13	224816	1
14	219881	2
15	300288	1
16	301055	1
17	.83856	2
18	.300257	1
19	110676	2
20	300254	1
21	.213282	2
22	.83859	2
23	94135	1
24	.94654	2
25	.68095	1
26	.110984	1
27	222778	1
28	.300763-01	1
29	.216982	2
30	.111131	2
31	.322932	2
32	.322721	2
33	102164	1
34	301054	1
35	.92836	1
36	.111026	2
37	.301053	1
38	111083	4
39	110961	1
40	217936	2
41	300555	1
42	300556	1
43	219848-01	1
44	.223884	1
45	.102556	1
46	.95266	1
47	.110995	1
48	.215533-01	1
49	322208	1
50	301402	1
51	.300280	1
52	.300281	1
53	.322206	3
54	.323081	1
55	.322205	1
56	.218083	3
57	300265	1
58	224820	1
59	105367	2
60	322188	2
61	224850	1
62	217937	2
63	300293	1
64	FIGURE 1	
65	218083	2
66	224824	1
67	224831	1
68	224825	1
69	111055	1
70	223088	1
71	110907	1
72	68656	1
73	95646	1
74	.91117	1
75	215259	1
76	301463	1
77	300276	1
78	111079	1

① ✕ ✕

4



1	301228	1
2	301560	1
3	216755	1
4	...	1
5	...	2
6	301038	1
7	...	1
8	219881	3
9	323082	1
10	224849	1
11	224847	1
12	224848	1
13	300294	1
14	301037	1
15	...	1
16	322204	1
17	218005	1
18	300275	1
19	300271	1
20	111101	1
21	322194	1
22	300299	2
23	46703-41	1
24 ①	105145	2
① 11600038-54		
11600038-57		



Ⓢ 39	110961	20.3 N•m
Ⓢ 49	322208	16.9 N•m
Ⓢ 56	218083	5.6 N•m
Ⓢ 65	218083	3.4 - 4.5 N•m
Ⓢ 78	111079	20.3 N•m

LOCTITE[®]

Ⓢ 40	219881	620
Ⓢ 9	219881	242
Ⓢ 14	219881	242
Ⓢ 16	301055	518
Ⓢ 38	111083	242
Ⓢ 40	217936	242
Ⓢ 44	223884	380
Ⓢ 8	219881	242
Ⓢ 11	224847	242